

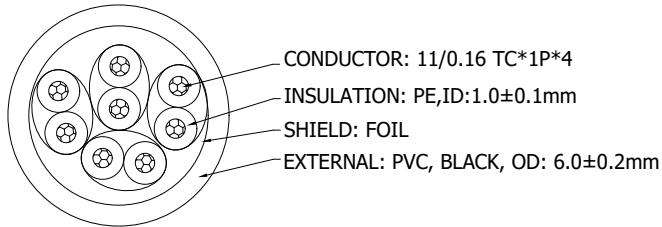
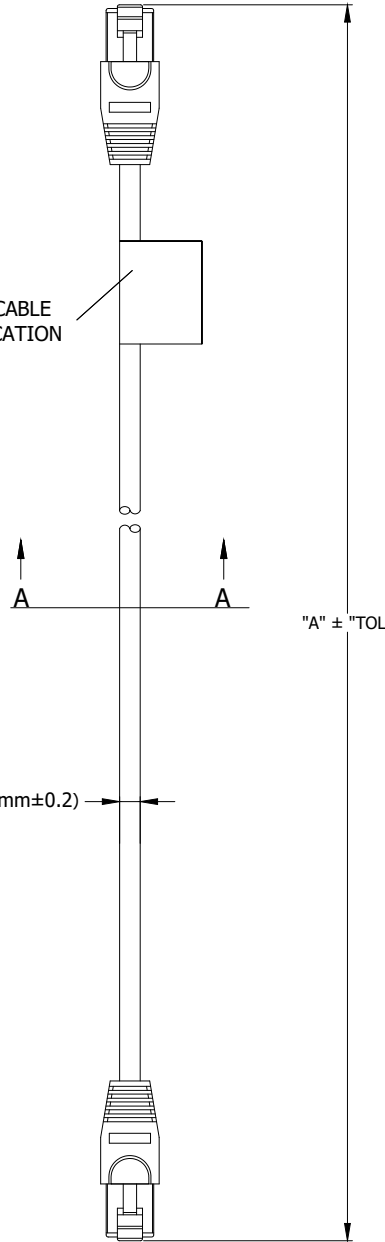
Revision Notes				
R1 - 5M CABLE TOLERANCE UPDATED AS PER CR-A739				
APA: U. XU	Drawn: A. KEBEDE	Checked: S. ZHANG	Approved: L. PILLAY	Date: 05/05/2020

MODEL NO.	PART NO.	LENGTH (A)	TOLERANCE (TOL)
IP-EC-1	5865	1M	± 30MM
IP-EC-5	5866	5M	± 80MM

**CONNECTOR**

**A**

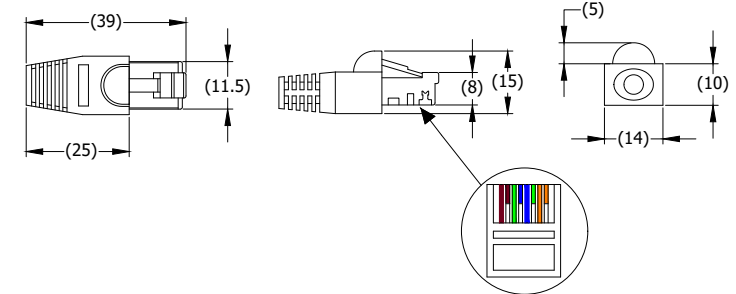
GENERIC CABLE LABEL LOCATION



**VIEW A-A**  
CABLE BUILDUP

- CONDUCTOR: 11/0.16 TC\*1P\*4
- INSULATION: PE, ID: 1.0±0.1mm
- SHIELD: FOIL
- EXTERNAL: PVC, BLACK, OD: 6.0±0.2mm

**(RJ45) CONNECTOR**  
**A**



PIN #	WIRE COLOUR
1	ORANGE / WHITE
2	ORANGE
3	GREEN / WHITE
4	BLUE
5	BLUE / WHITE
6	GREEN
7	BROWN / WHITE
8	BROWN

- NOTES:
- INTERNAL CABLES SHOULD BE ONE CONTINUOUS LENGTH BETWEEN CONNECTORS.
  - RoHS, UL94 V-0

**PROPRIETARY NOTICE**  
THIS DESIGN AND TECHNICAL INFORMATION APPEARING ON THIS DRAWING IS THE PROPERTY OF BRIGADE ELECTRONICS, AND IS DISCLOSED IN CONFIDENCE. IT IS NOT TO BE COPIED, REPRODUCED, REVEALED TO OR EXPROPRIATED BY OTHERS, EITHER IN WHOLE OR IN PART WITHOUT THE EXPRESS WRITTEN CONSENT OF BRIGADE ELECTRONICS.

**BRIGADE**  
www.brigade-electronics.com

Assembly Pl Approval C. LI	Approved by L. PILLAY	Checked by S. ZHANG	Drawn by A. KEBEDE
<p>Third Angle</p>	Units mm	Scale N/A	Released 27/11/2019
	Status RELEASED	Assembly Ref IP-EC-SERIES CABLE	
	Part No VARIOUS	BE-004268-01-19	